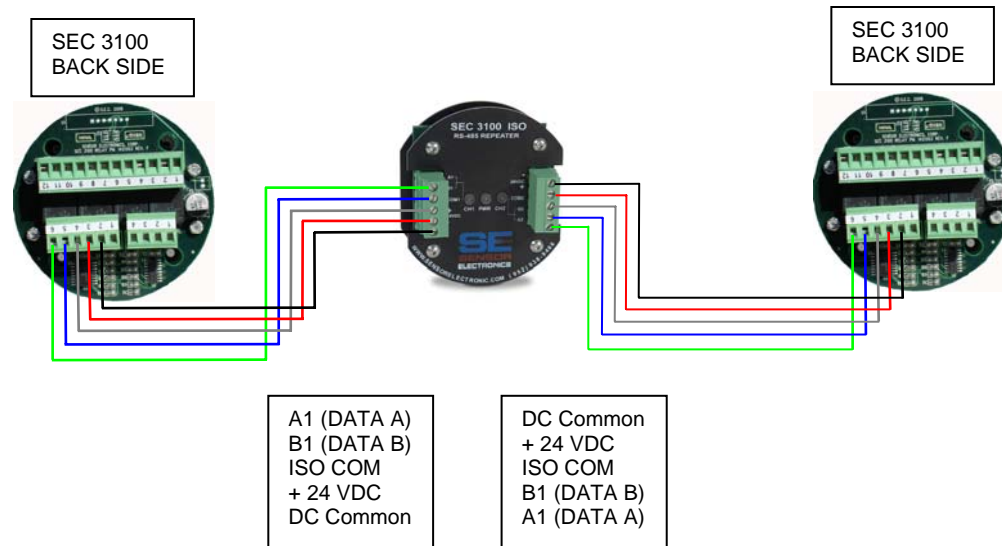




SEC 3100 ISO RS-485 Repeater Module

Operation

The SEC 3100 ISO RS-485 Repeater Module is used in conjunction with the SEC 3100 transmitters and the SEC 3500 HMI Operator Interface or other MODBUS RS-485 data highway systems. The SEC 3100 ISO RS-485 Repeater Module is used to extend the distance of the RS-485 network and increase the number of devices on the RS-485 network. The SEC 3100 ISO RS-485 Repeater Module provides 1500 volt isolation bidirectional data flow and transient suppression on the RS-485 data lines. An SEC 3100 ISO RS-485 Repeater Module should be installed for every 1000 feet of data highway cable or 32 network devices. The SEC 3100 ISO RS-485 Repeater Module is powered by 24 VDC and wired in line with the SEC RS-485 network devices. A typical wiring diagram is shown below:



Specifications

Operating Voltage
18-32 VDC

Temperature Rating
-40° to + 70°C

Humidity
0-99% RH (non-condensing)

Operating Current
50mA @ 24VDC

Input / Output (digital)
MODBUS RTU

Part Number
3100-000-REPEAT